

Information about the product

Dimensions	320 x 79 cm
Safety zone	620 x 451 cm
Safety zone area	22 m ²
Overall height	150 cm
Free fall height	90 cm
Amount of users	2
Highest element	220 cm
Heaviest element	30 kg
Product complies with EN 1176-1:2017-12	Yes
Availability of spare parts	Yes
Age range	3-12

According to EN 1176-1:2017-12 norm, the product requires applying a safety surface according to the product's free fall height.

Functions



Balancing



Socializing



Emotion regulation



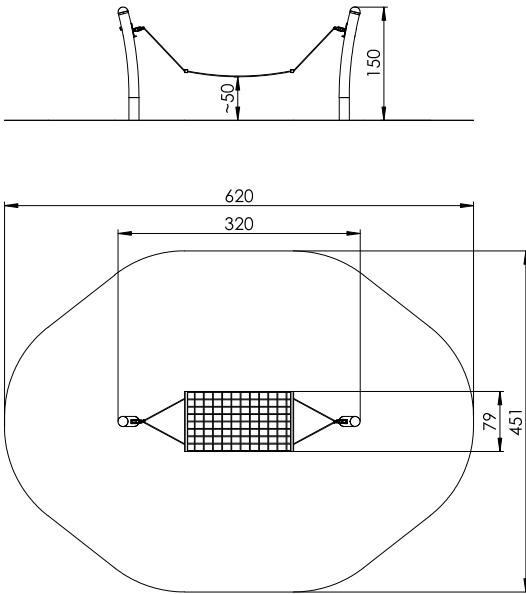
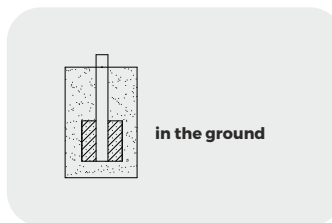
Let's **Buglo**

Due to the height of the free fall of the product, the EN 1176-1:2017-12 norm allows following types of fall- absorbing surfaces:

Material	Description	Minimal layer thickness mm
Top layer of the soil		
Turf		
Bark	Chipped bark of coniferous trees (no wood-based materials), the size of the pieces between 20mm to 80 mm	300
Wood chips	Mechanically fragmented wood without bark and leaves, size of the pieces between 5 mm to 30 mm	300
Sand or gravel	Particle size between 0,25 mm to 8 mm	300
Synthetic material	Synthetic material with an approval for free fall heights ≥ 90 cm	

All types of surfaces need to be preserved by adding bulk material and removing extraneous matters. Broken glass is considered to be most hazardous.

Installation method



1:100

Warranty



Lifetime

The warranty covers the durability of components made of HDPE (high-density polyethylene), as well as the structural integrity of components made of black steel that has been powder galvanized and powder coated, stainless steel, and components made of hot-dip galvanized steel.



10 years

The Guaranty covers all flaws of the elements made of HPL, HDPE, stainless steel, hot-dip galvanized steel, wooden elements (pine, spruce), revealed during usage, which arise from manufacturing reasons.



5 years

The Guaranty covers all flaws of the elements made of powder coated steel, aluminum, laminate, ropes, elements made in rotomoulding technology, elements made of polyamid, polypropylene elements, revealed during usage, which arise from manufacturing reasons.



2 years

The Guaranty covers all flaws of the elements made of rubber, moving elements (bearings, joints), electronic elements, elements made of EPDM, elements made of plywood and other not mentioned before revealed during usage, which arise from manufacturing reasons.

Product description

Hammock

Dimensions:

Equipment dimensions: 320 x 79 cm

Safety zone: 620 x 379 cm

Overall height: 150 cm

Free fall height: 90 cm

Materials:

-Posts: tubes with a diameter of 133 x 3,6 mm. Black steel S235JR, cleaned by sandblasting, protected against corrosion by powder galvanising and powder coating with polyester paints, UV-resistant with QUALICOAT certification.

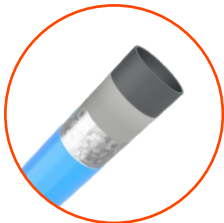
-Nets: made of polypropylene rope, type ppmultisplit, 16 mm diameter with a steel core.

The equipment includes a minimum of:

- 2 pcs x posts

- 1 pc x net

Materials



Solid construction elements made of black steel cleaned in the sandblasting process. resistant to UV radiation



Polypropylene ropes
PP - Multisplit type with a steel core and a diameter of 16 mm.